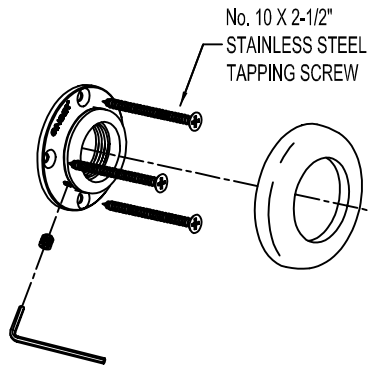


MOUNTING FLANGE DETAIL



HOTEL GRAB BARS
LENGTH PART NO.

12"	0360
16"	0361
18"	0362
24"	0363
32"	0364
36"	0365
42"	0366
48"	0367

MEETS OR EXCEEDS ASTM F446 STANDARDS AND CONFORMS TO ADA GUIDELINES.

FINISHES: 3-POLISHED BRASS, 15-POLISHED NICKEL, 26-POLISHED CHROME, MC-MATTE CHROME		
MATERIAL: FORGED BRASS MT. FLANGE & ROSETTE, BRASS TUBE, STAINLESS STEEL HARDWARE		
PART NOS.	0360 ~ 0367	STRAIGHT GRAB BARS
DATE: 06.DEC.01	REV.	SCALE 1:5 HOTELIER
		WEIGHT: 2 LBS. 7 OZ. [1.1 KG.] 18" DWG.NO. PD-0360